

Form 19678

(141)

Printed in U. S. A.

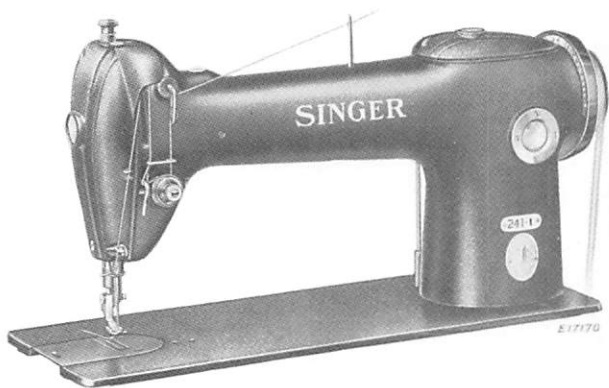
SINGER**

241-1

RECEIVED
JUL 5 1971
DALSEW INC

THE SINGER COMPANY

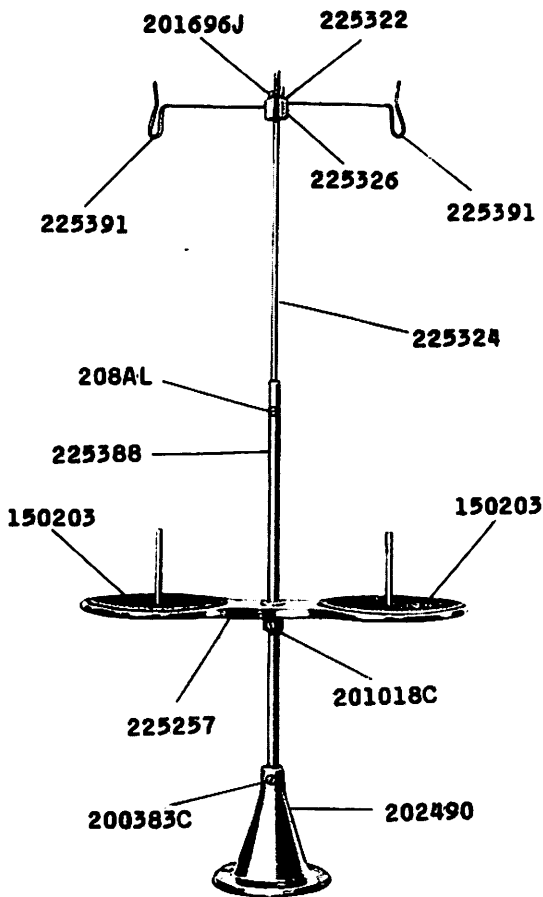
**A Trade Mark of THE SINGER COMPANY



Copyright, U. S. A., 1939, 1940 and 1941,
by The Singer Company
All Rights Reserved for all Countries

22248 - 1/6

225258



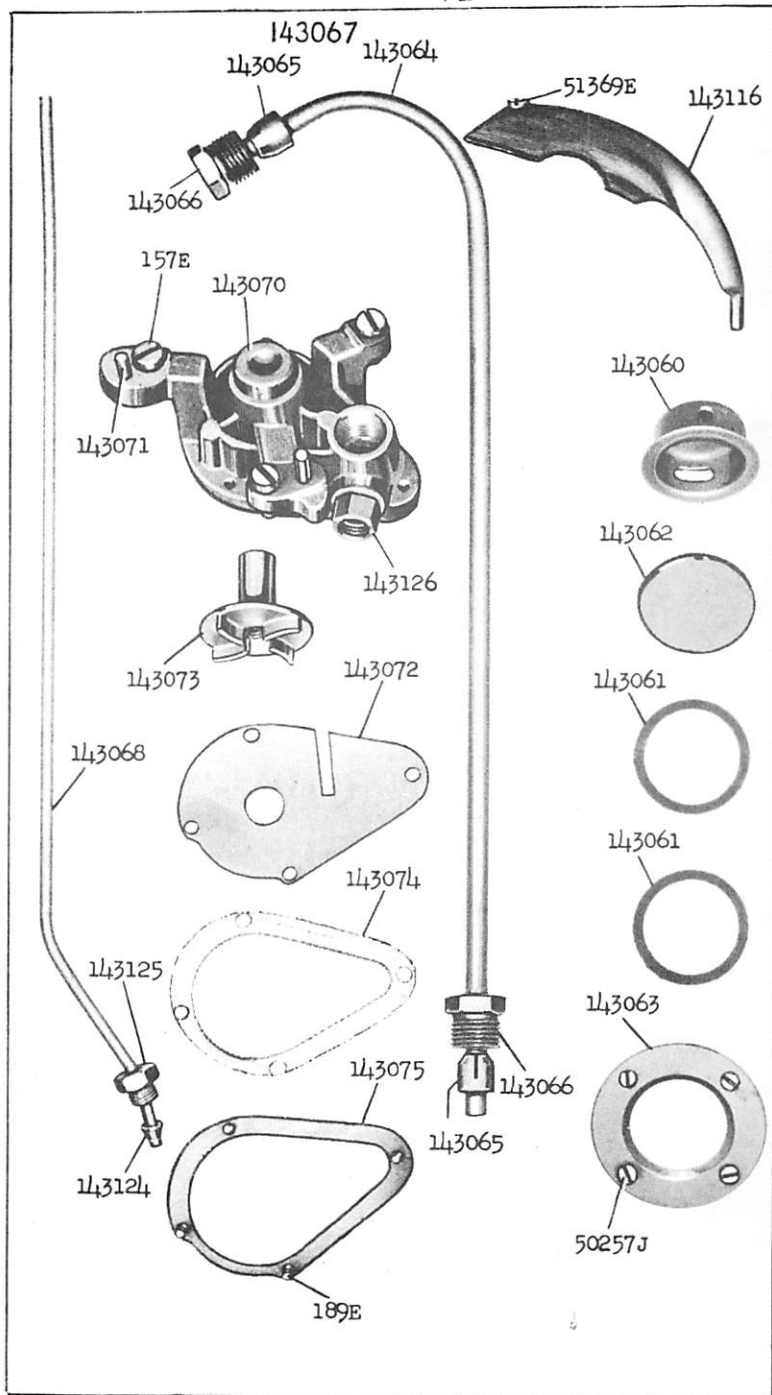
27739



225390



23212 - 1/2



23214 - 2/3

143114

356c

356c

143110

143154

143157

143155

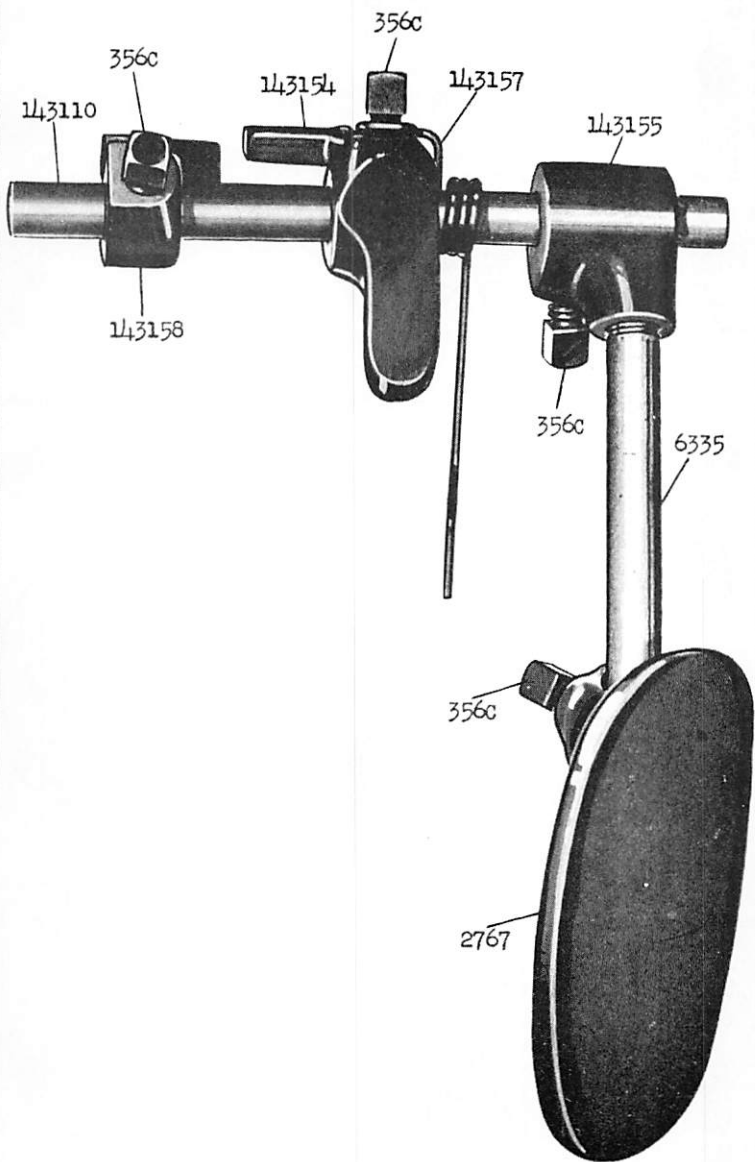
143158

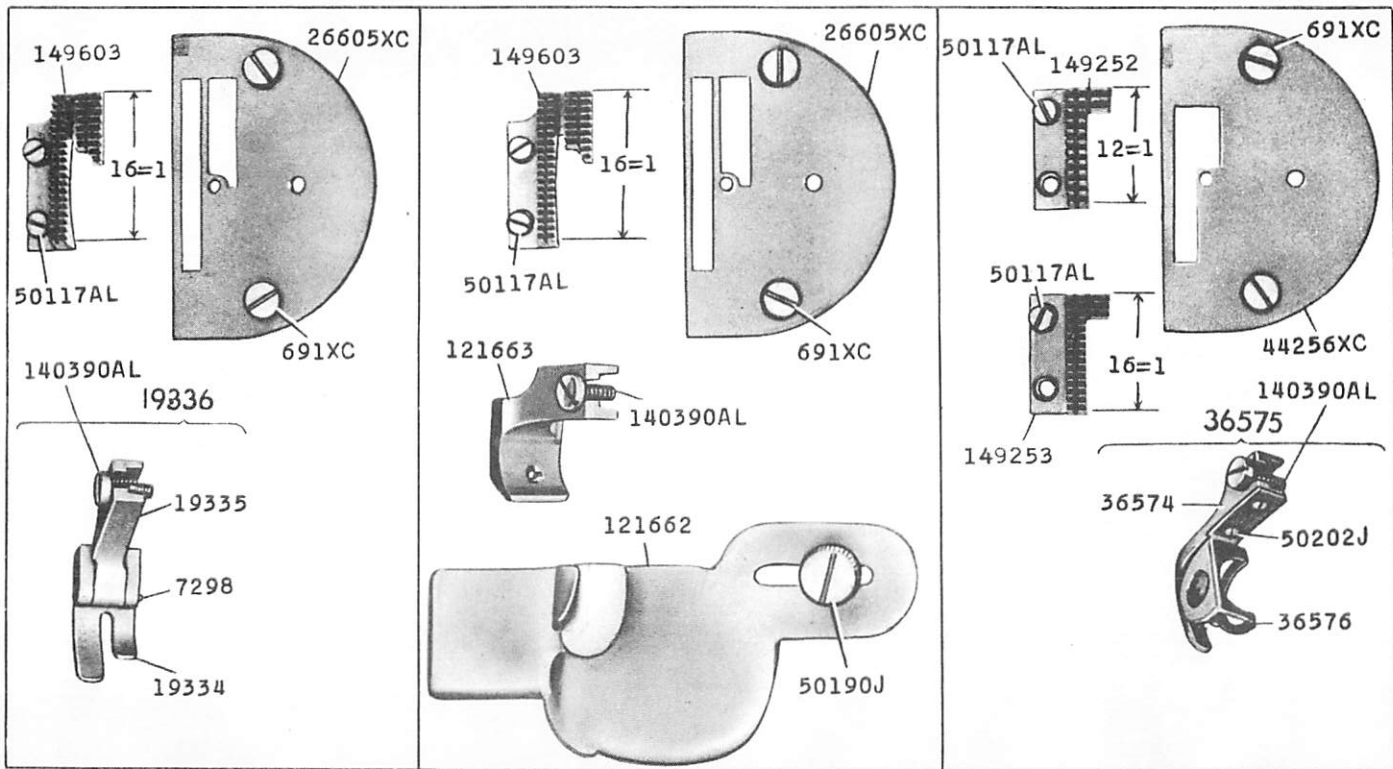
356c

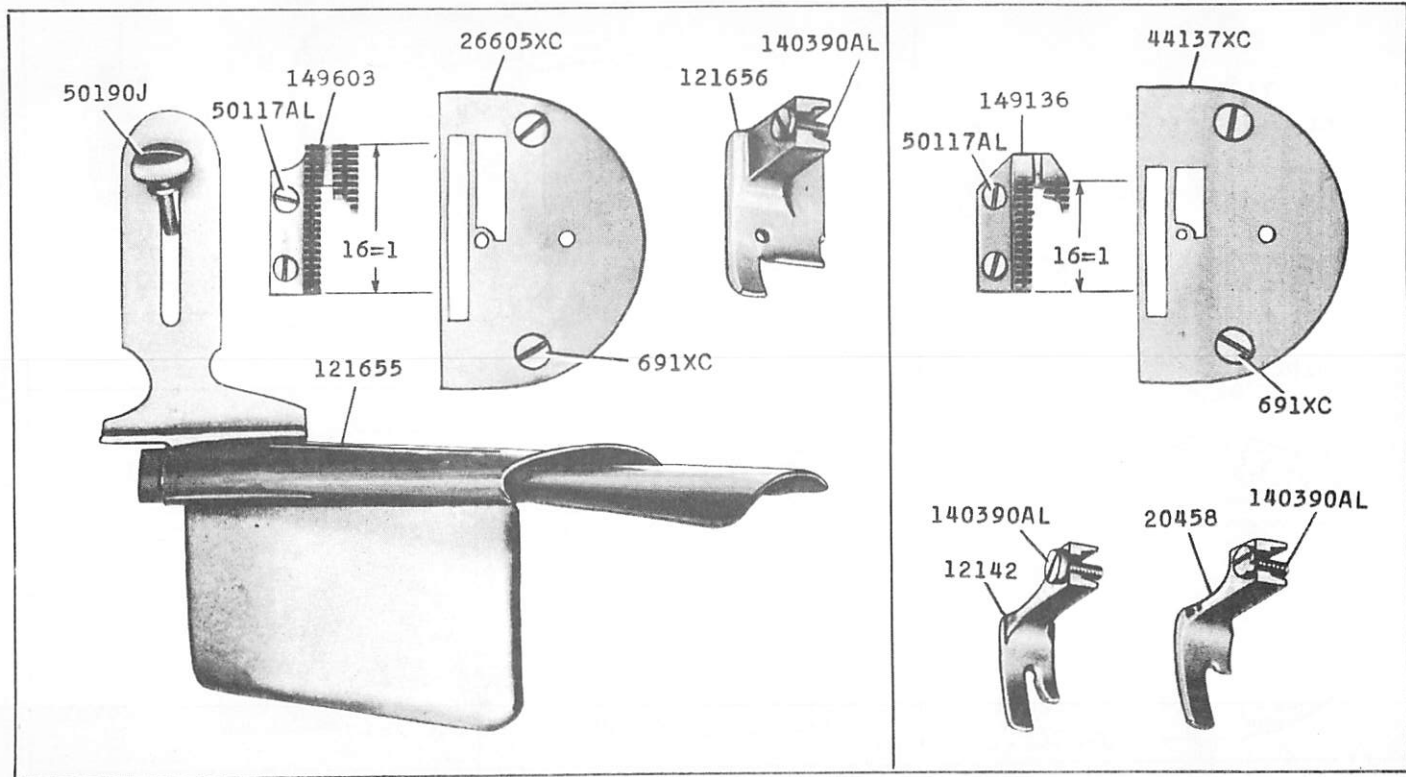
6335

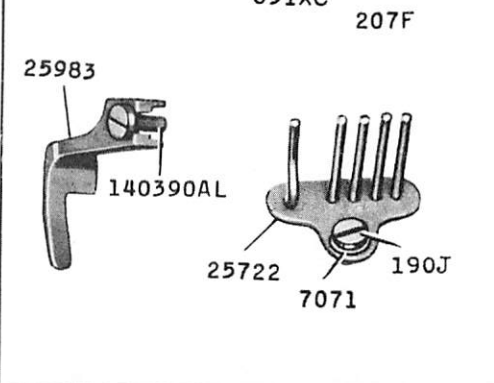
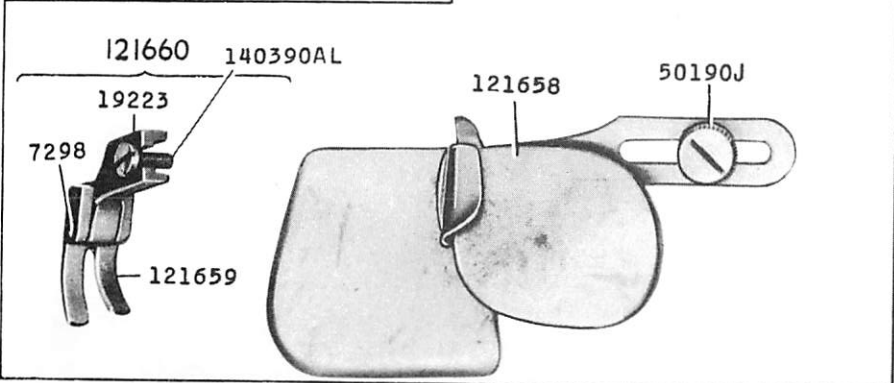
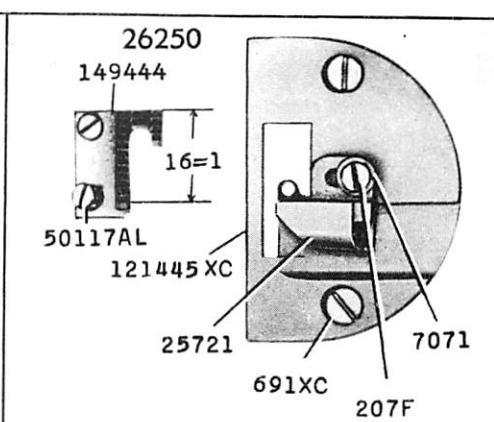
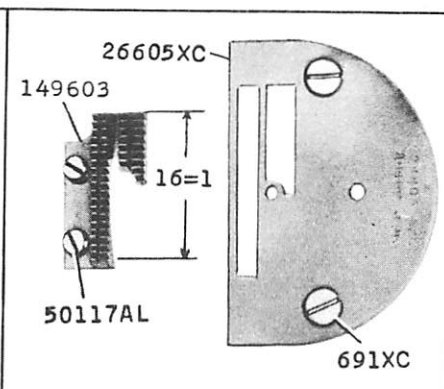
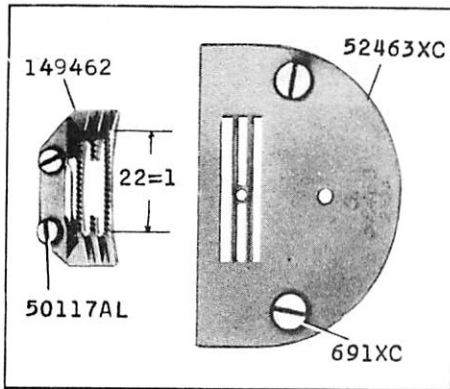
356c

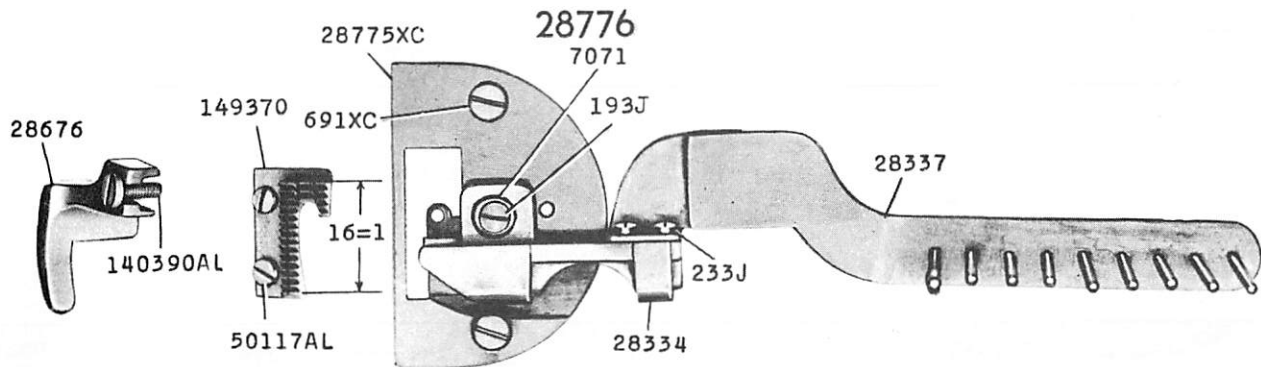
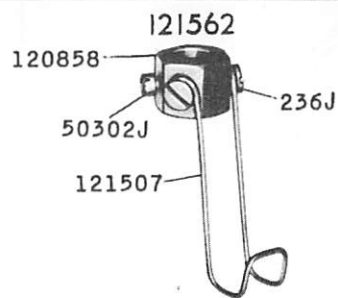
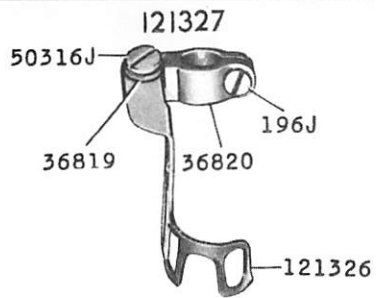
2767

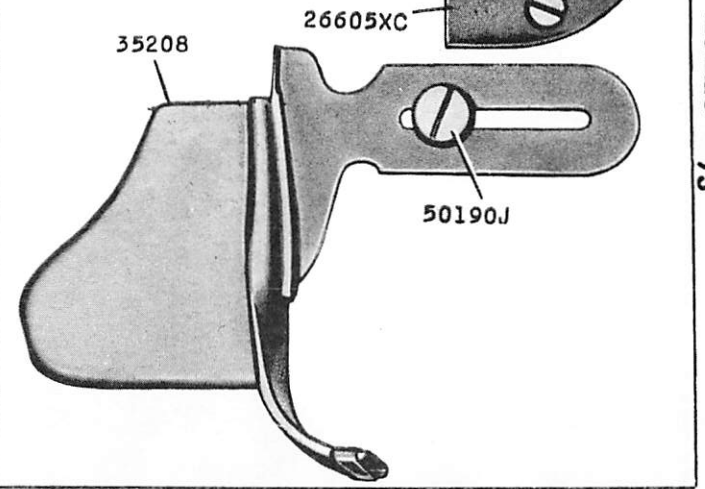
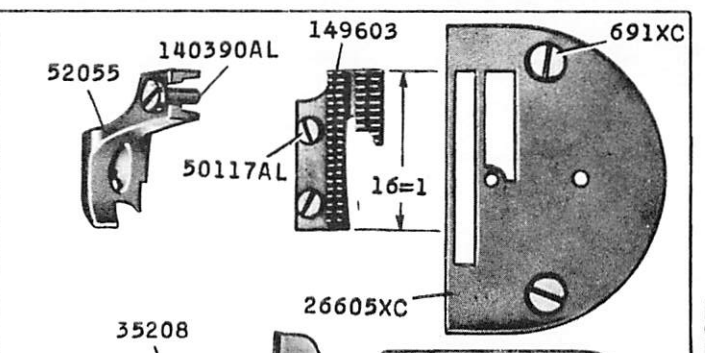
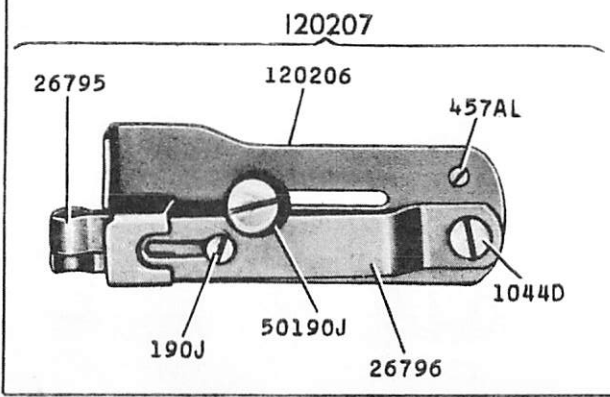
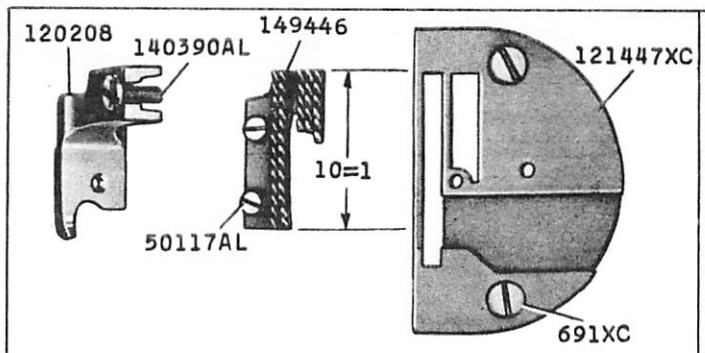












120803



120938



120804



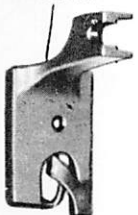
36122



120805



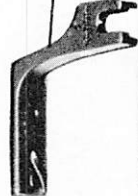
120806



120807



35710



35682



36524



35997



36309



36072



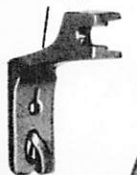
120898



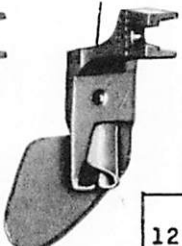
36414



36413



120911



36480



36416



120837



121761

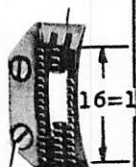


121762

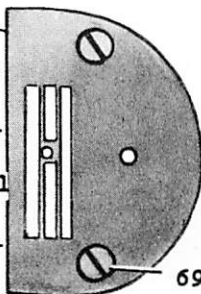


121759XC

149758



50117AL



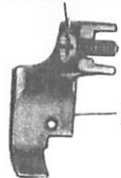
121760



140390AL

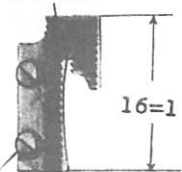
691XC

140390AL



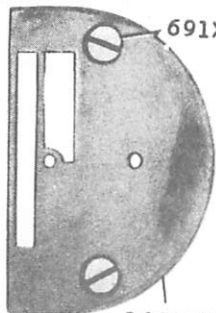
35063

149603



16=1

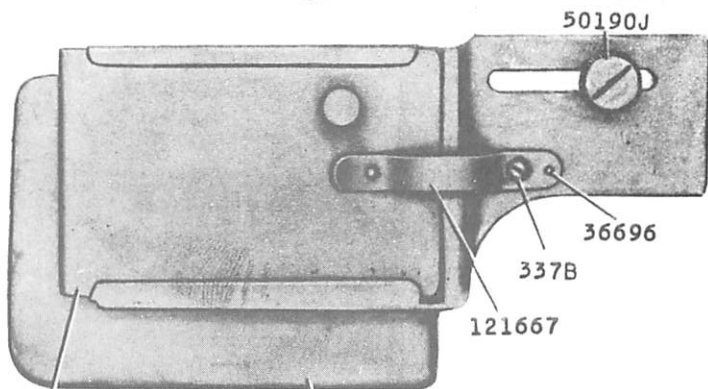
50117AL



691XC

26605XC

121671



50190J

36696

337B

121667

121669

121670

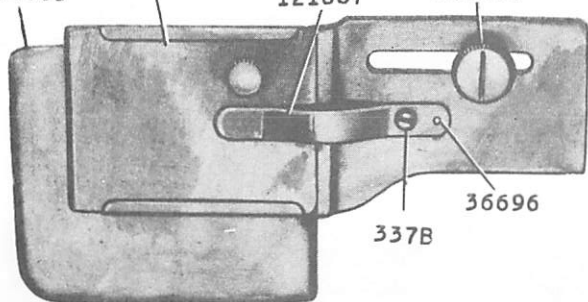
121668

121665

121666

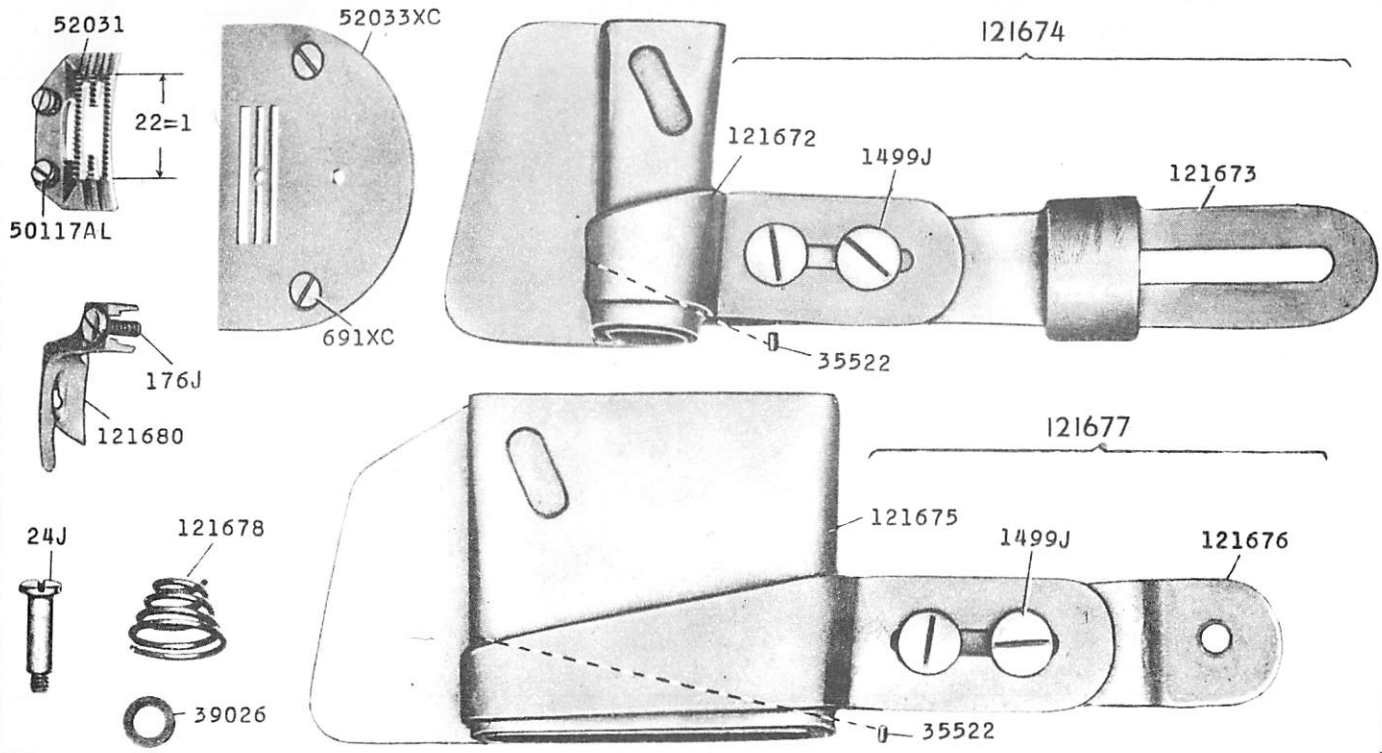
121667

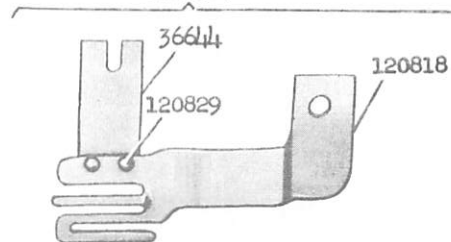
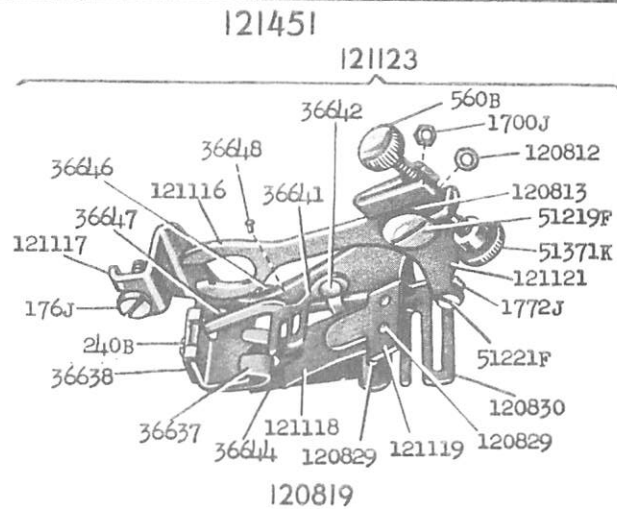
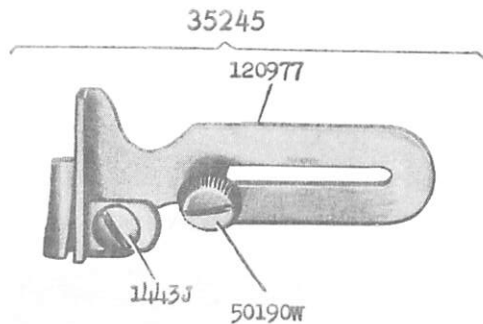
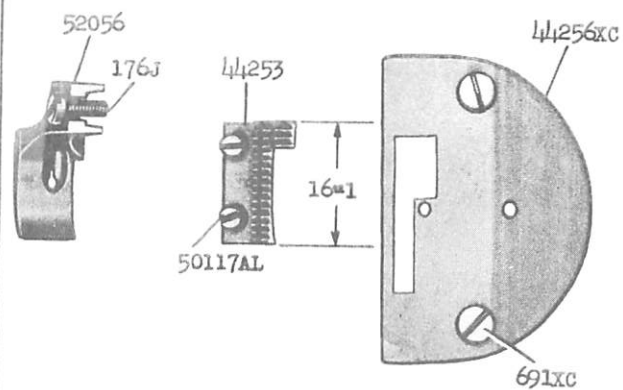
50190J

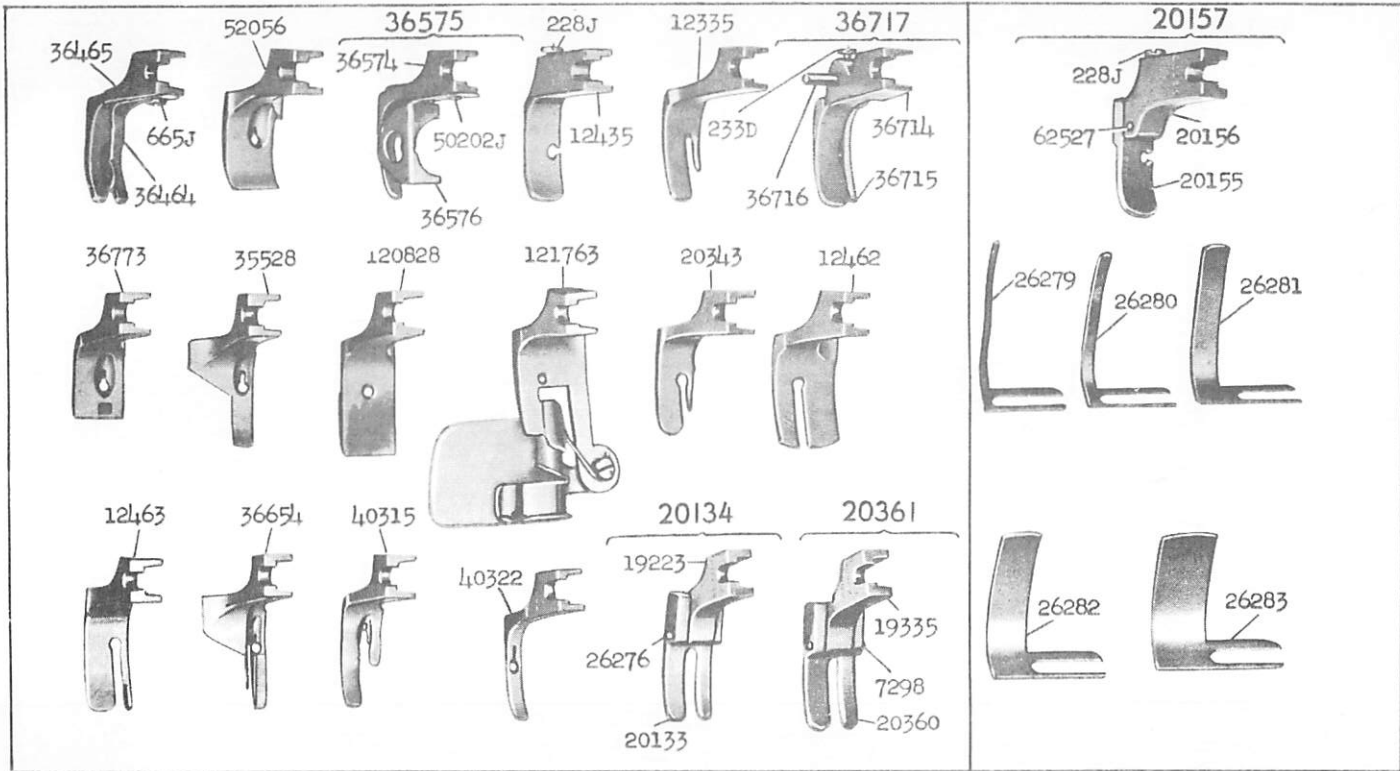


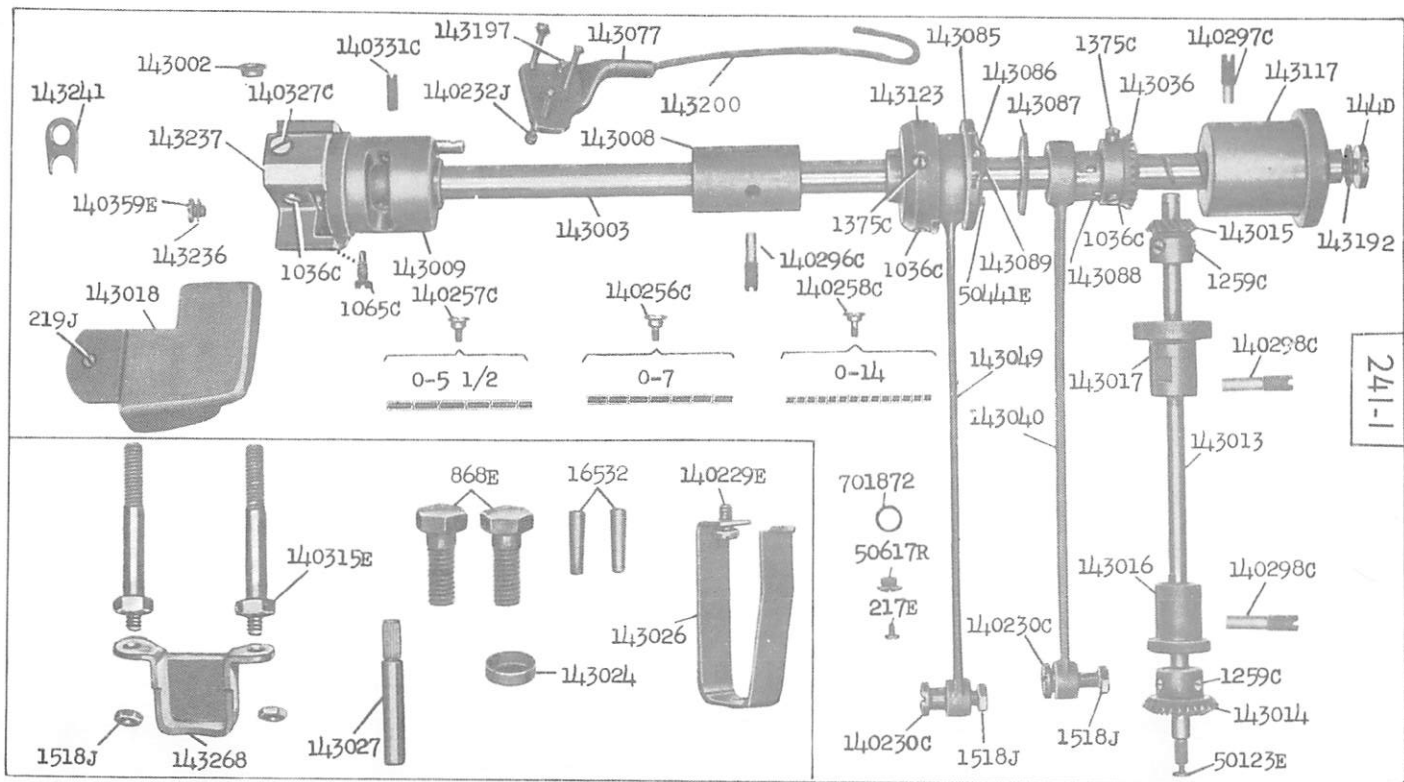
337B

36696

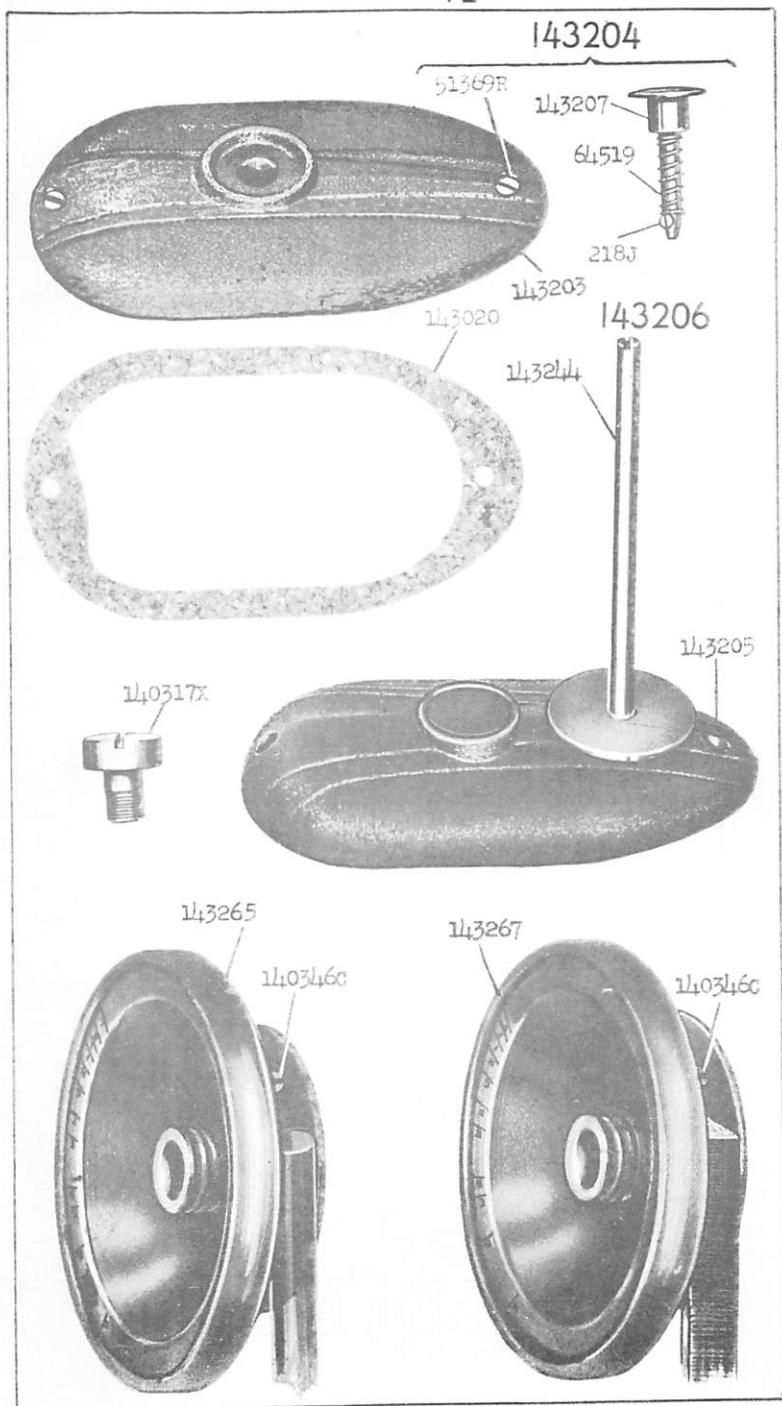


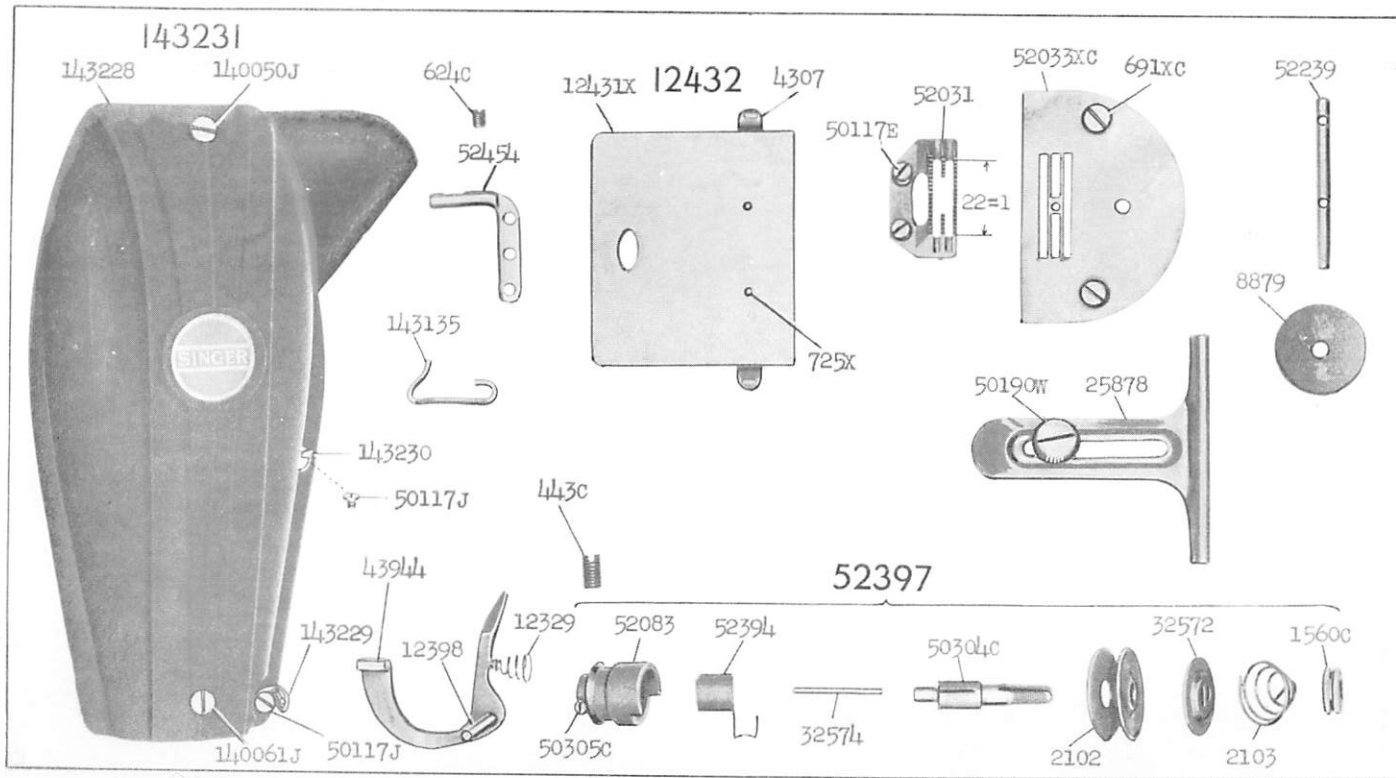


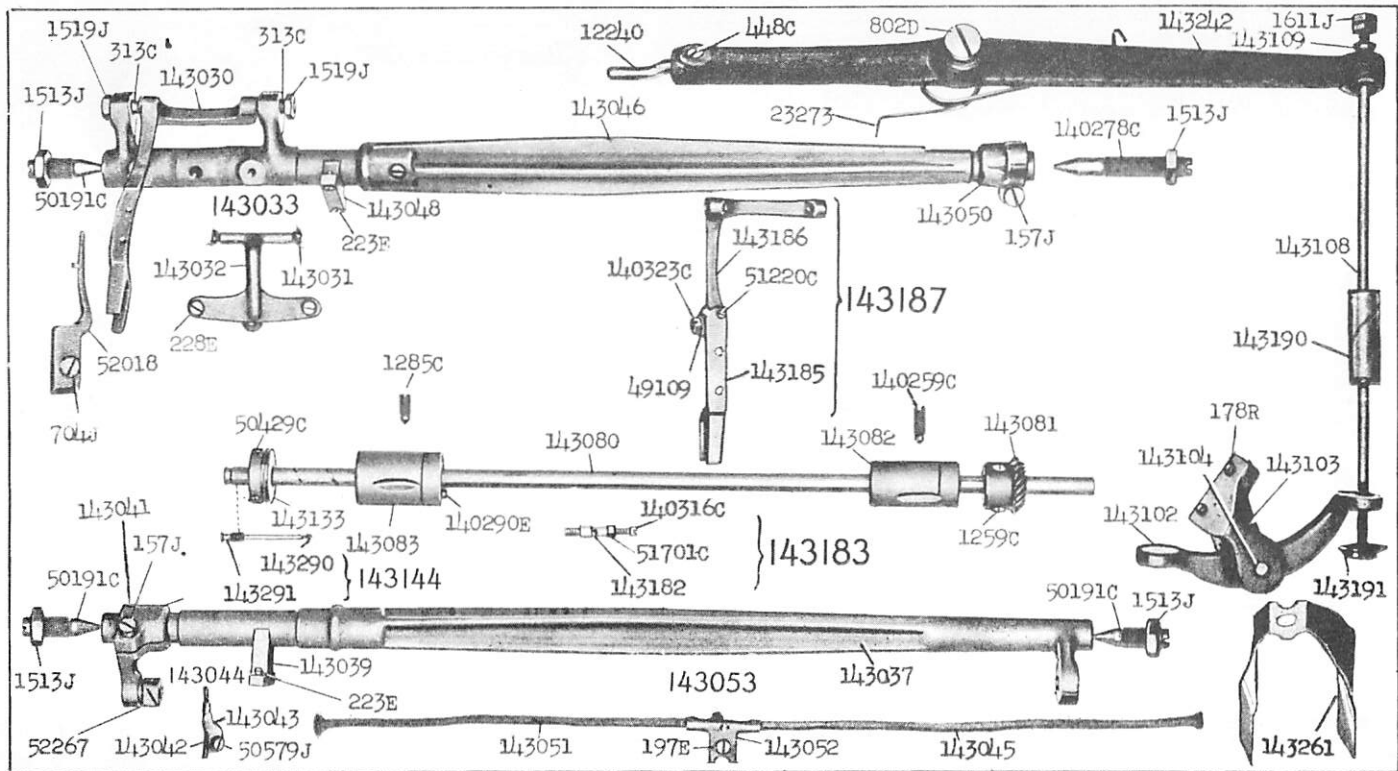




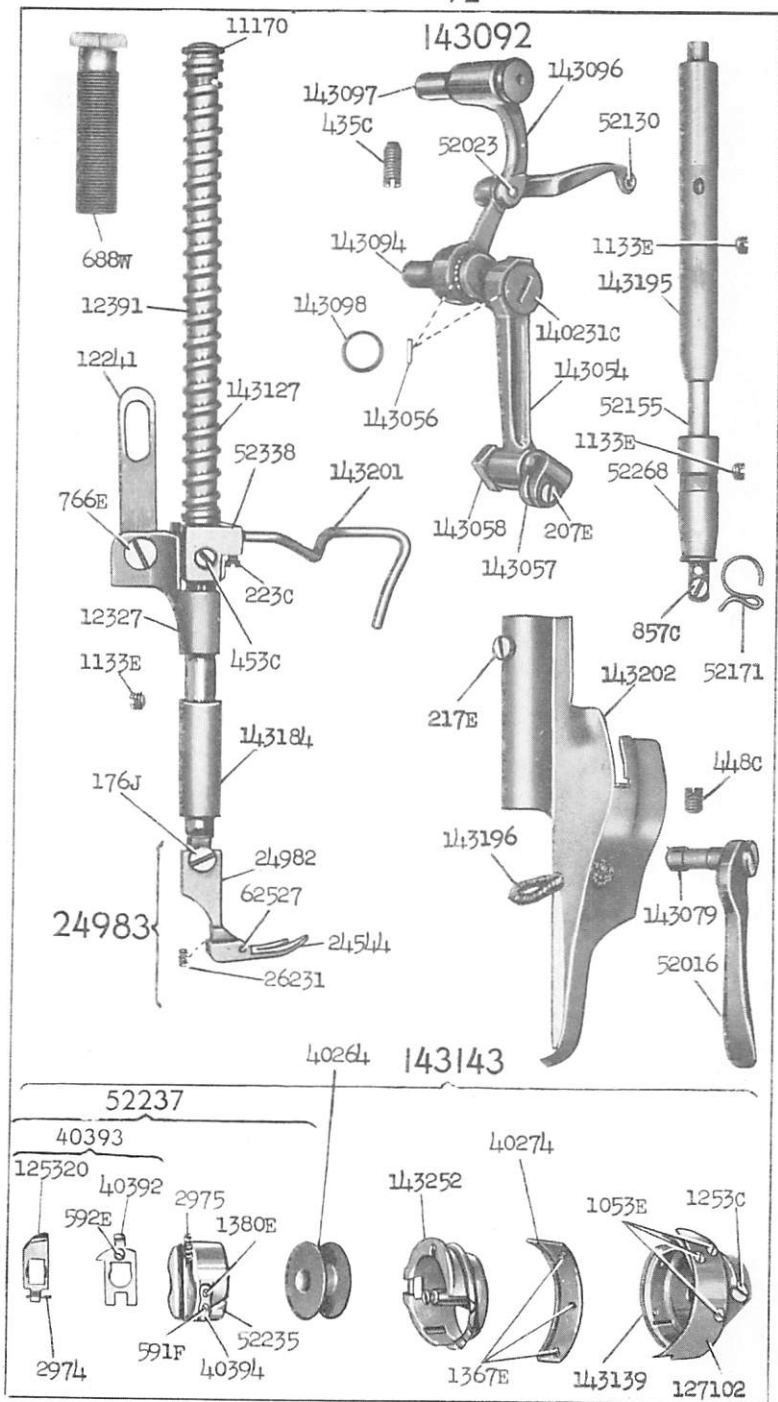
23240 - 1/2





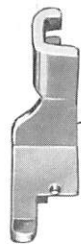


23245 - 1/2



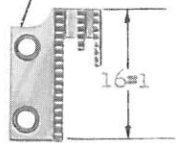


121871

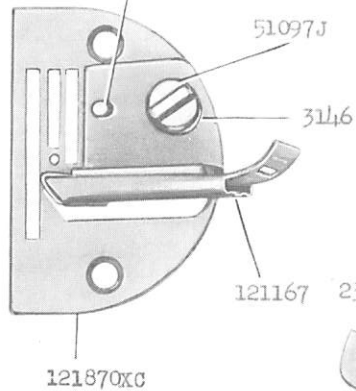


121169

121397



16±1



121870xc

43525

51097J

3146

121167

23263

51097J

8879

120538

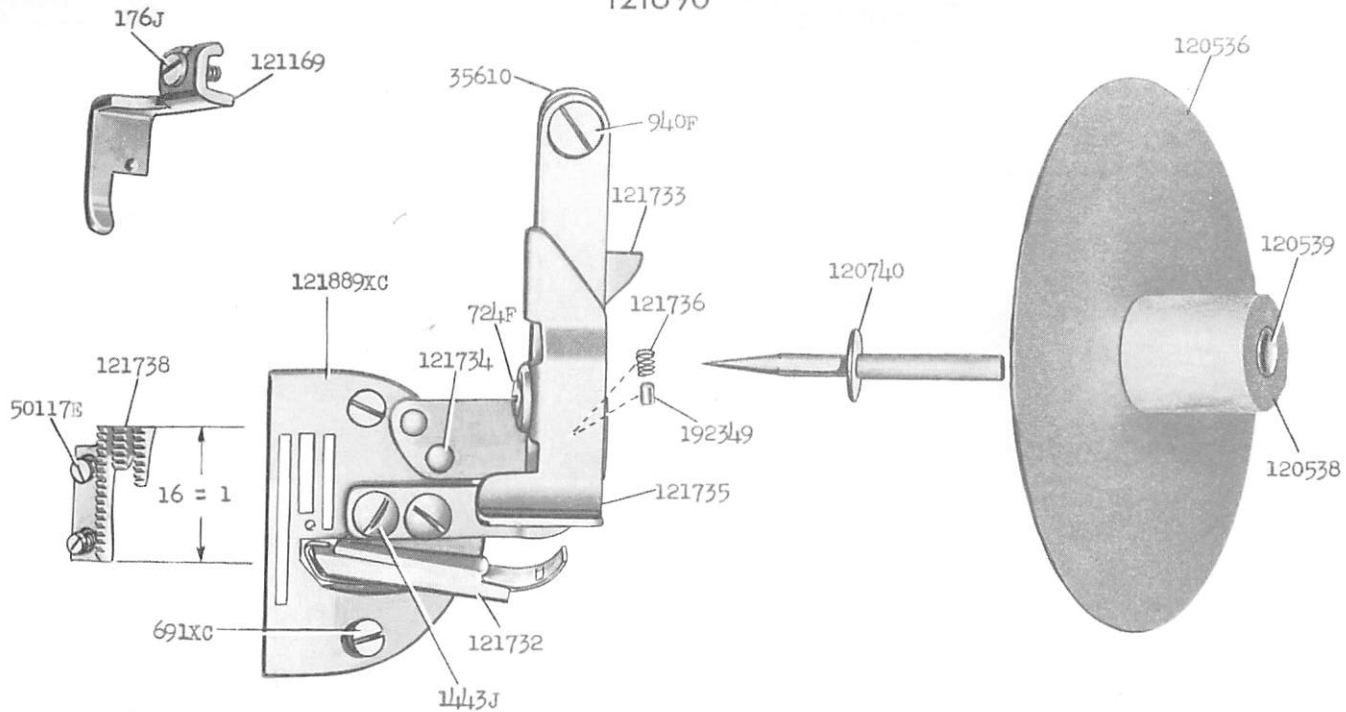
120536

120539

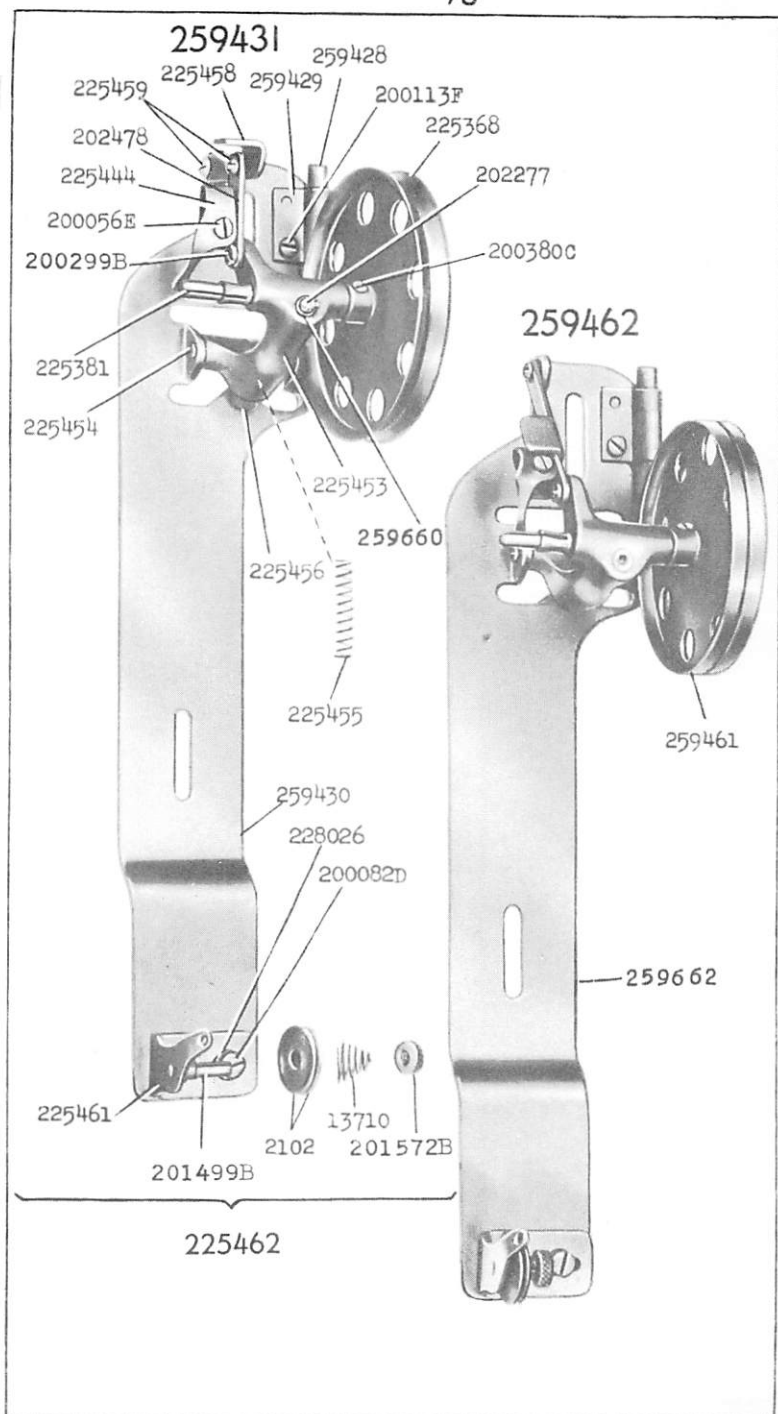
120537

121412

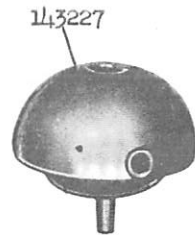
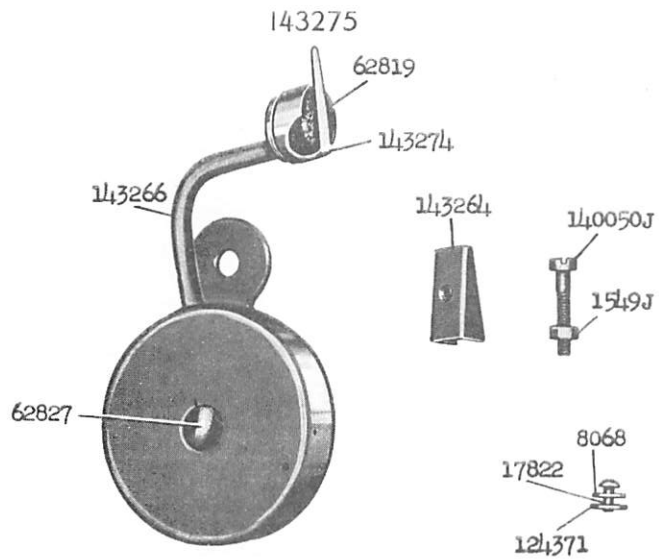
121890

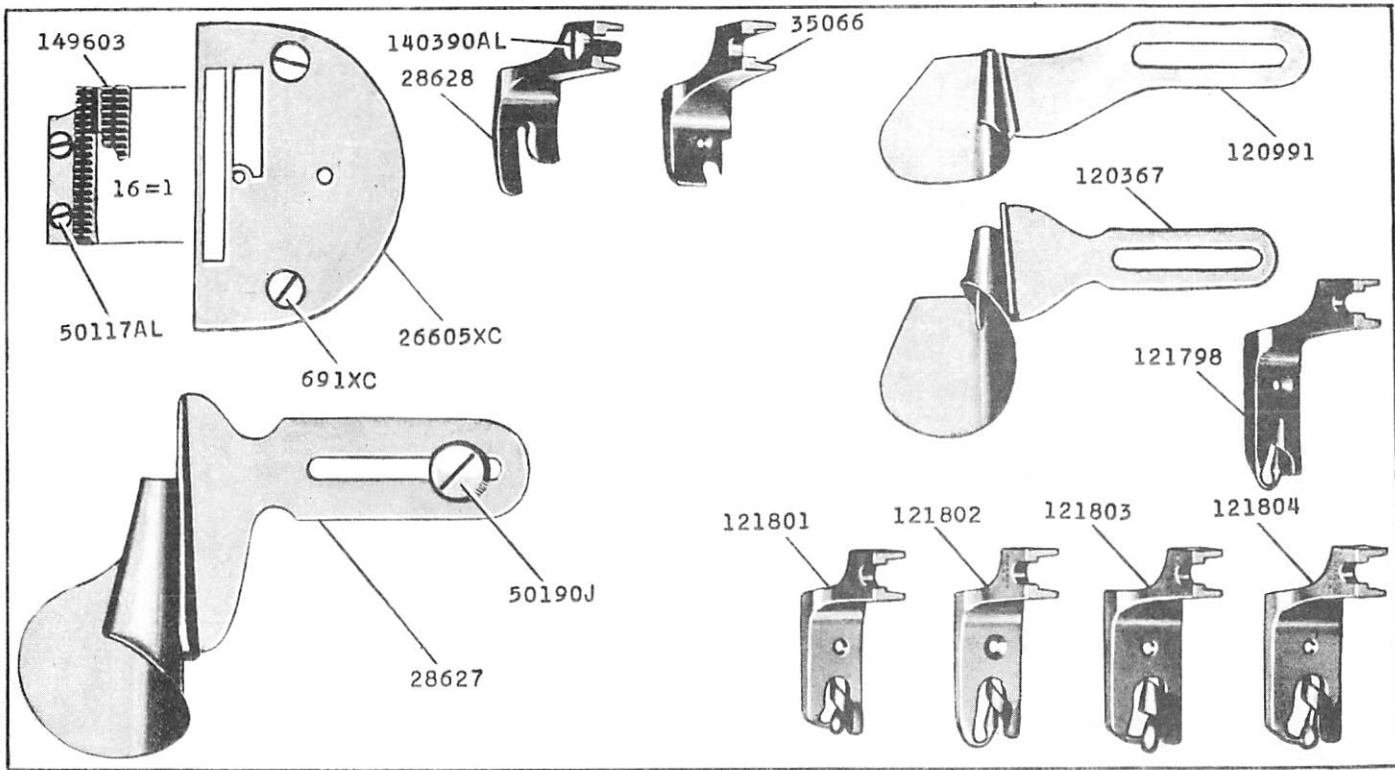


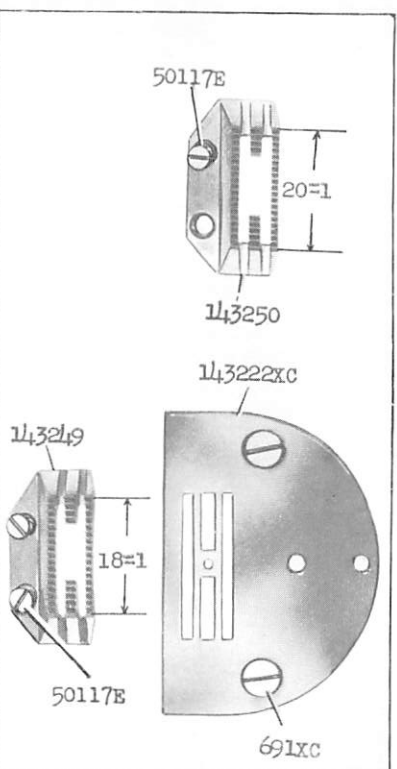
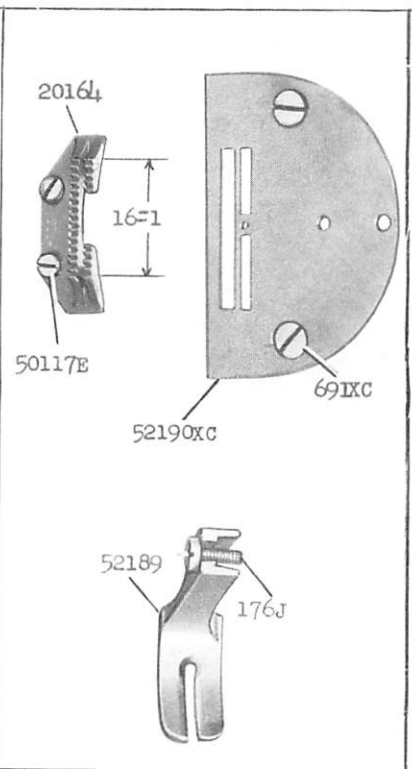
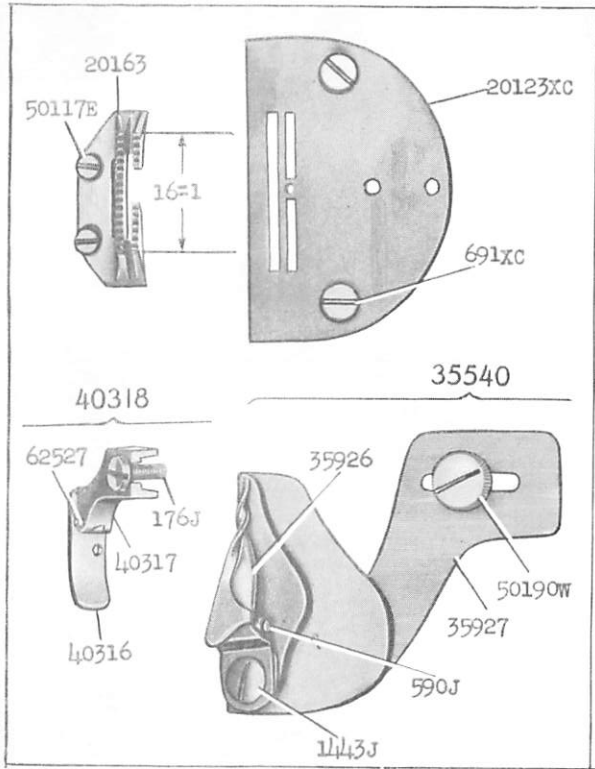
23253 - 3/8



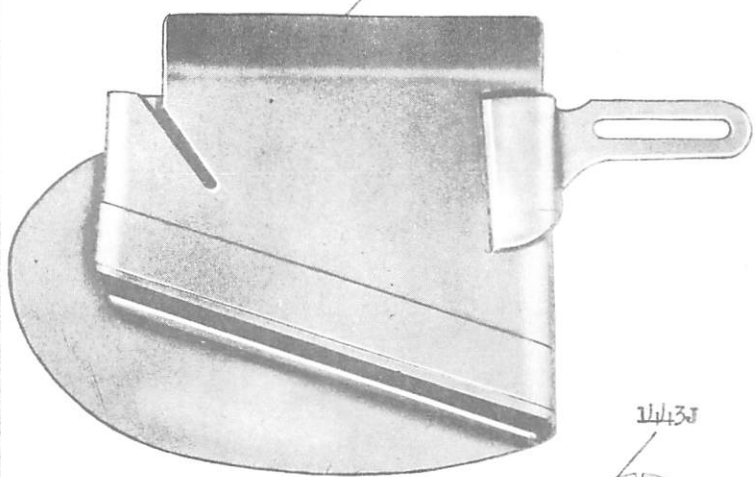
143276







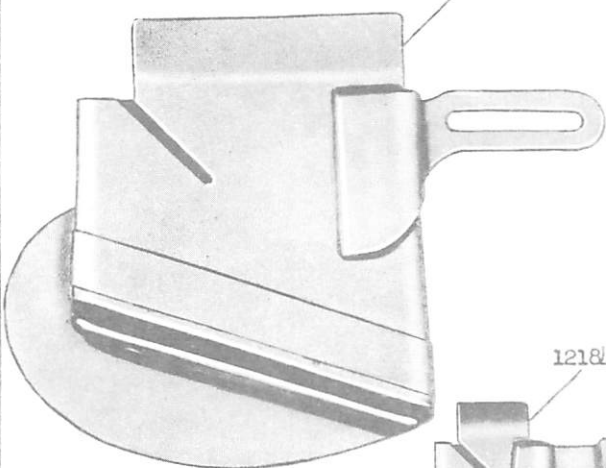
121888



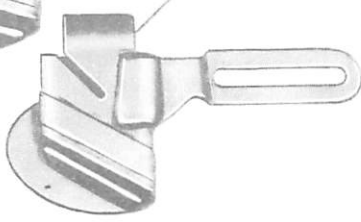
1443J



121842



121841



121848

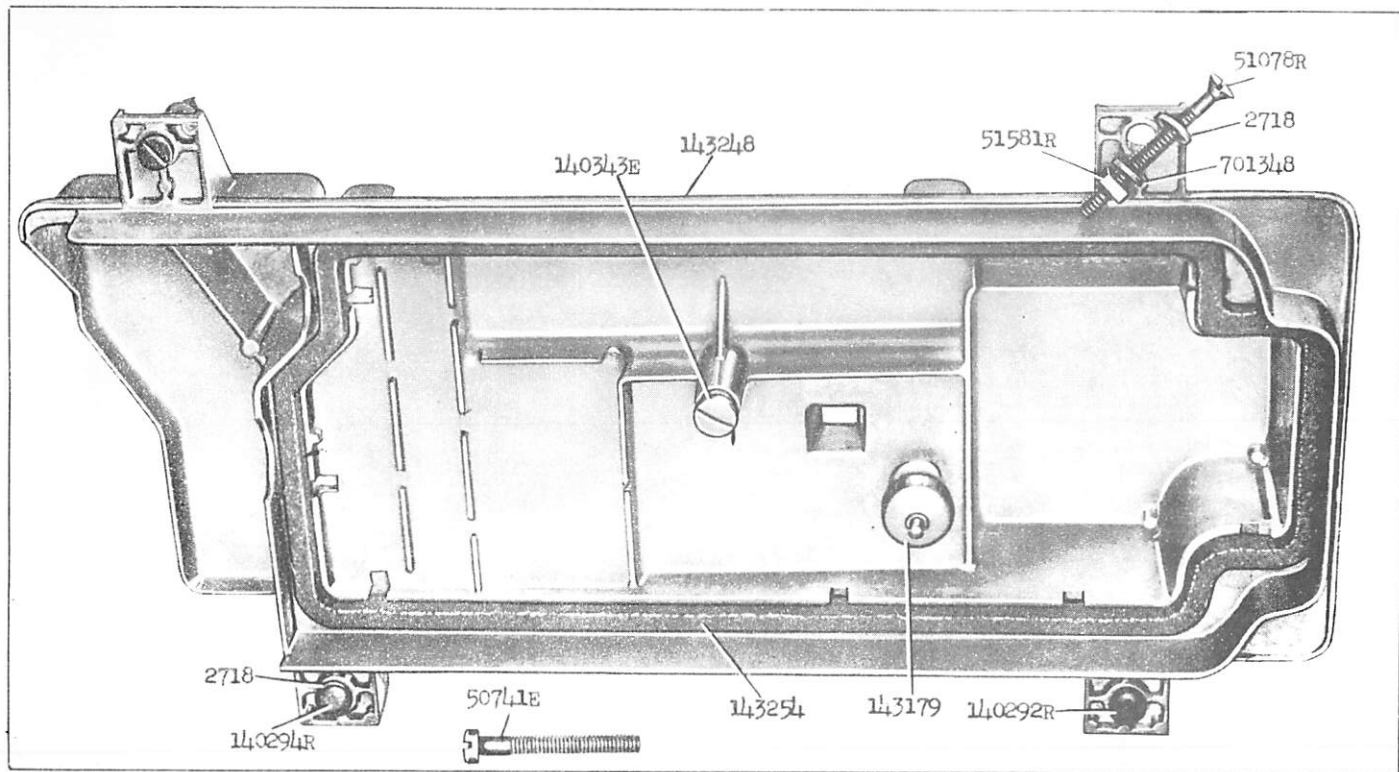


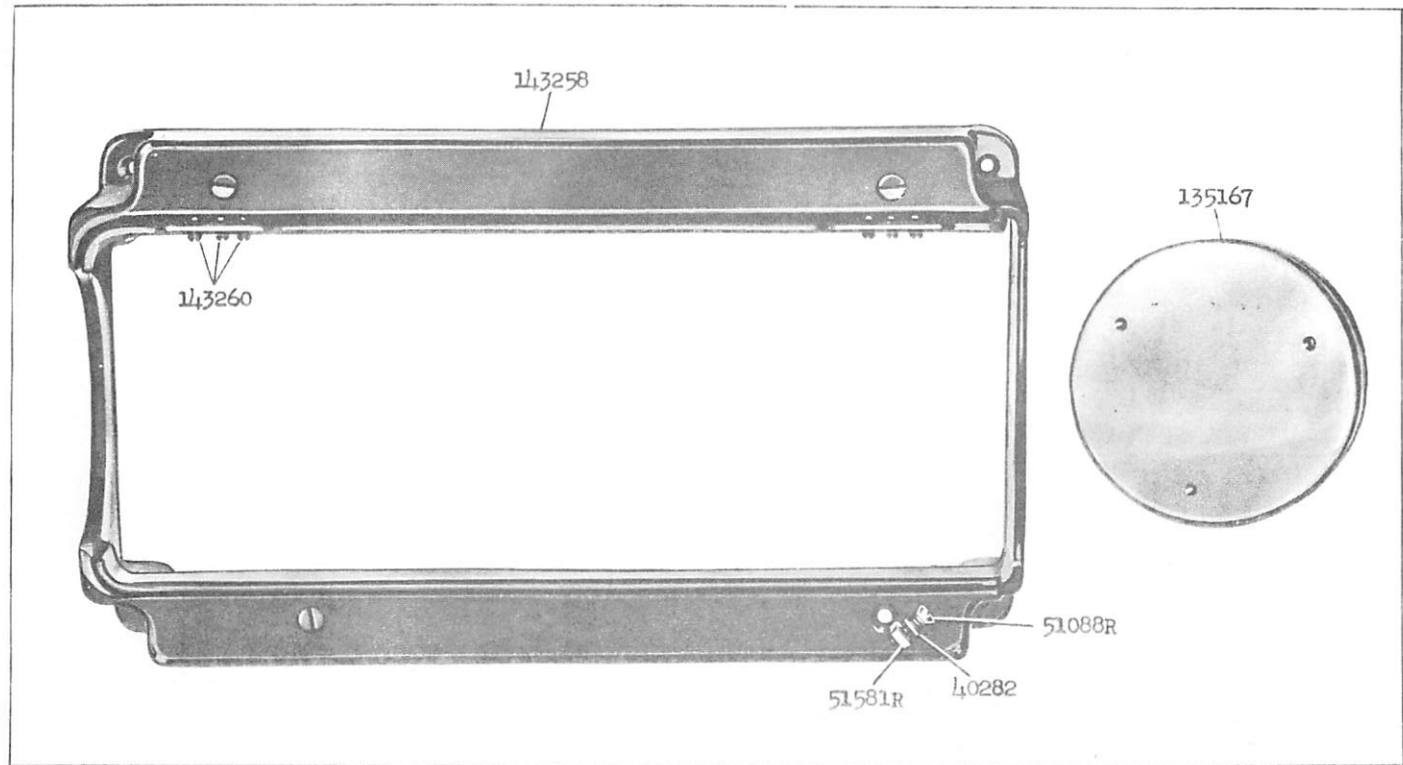
121845

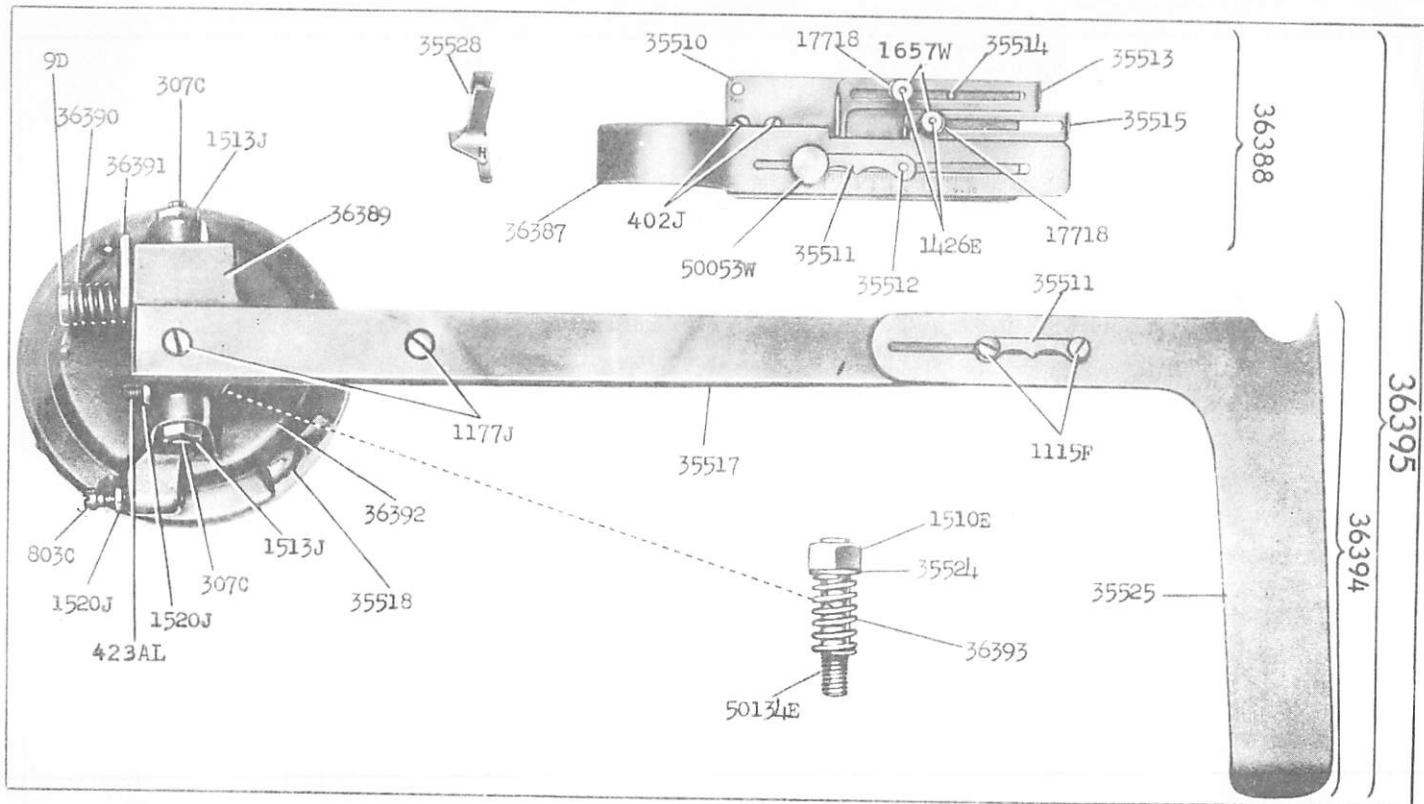


121846

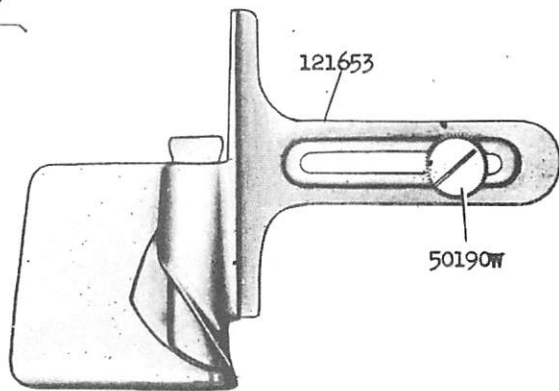
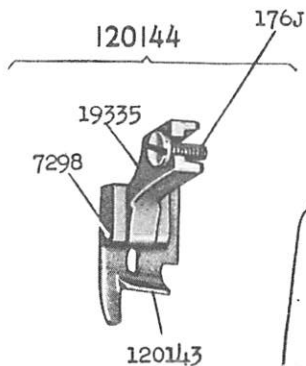
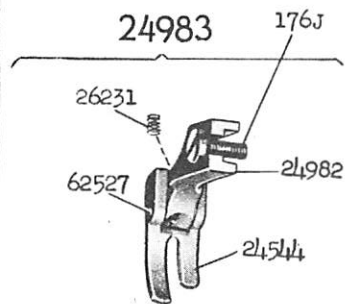
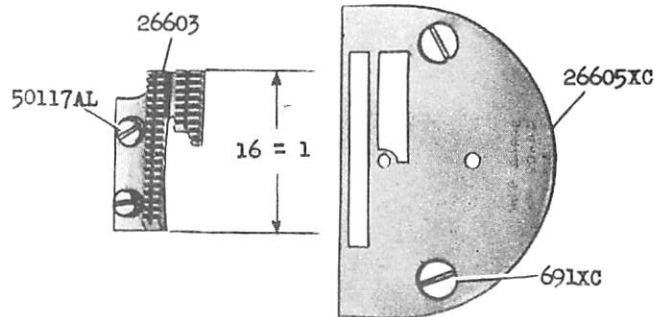
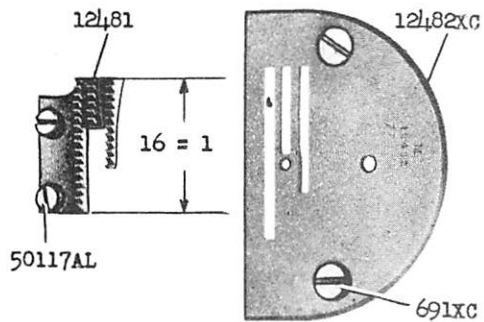
140157J

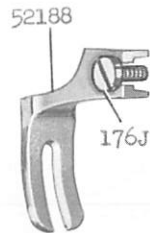
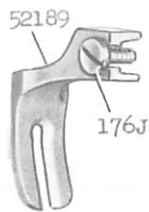
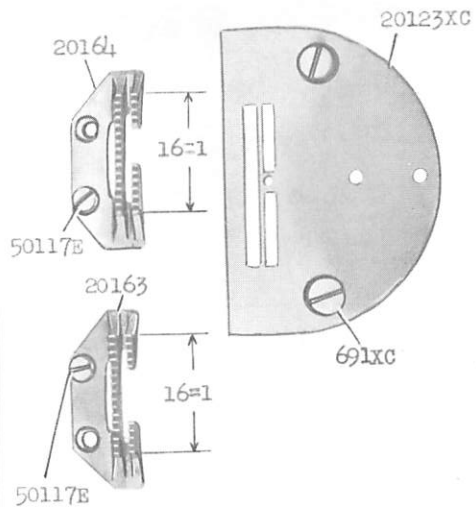
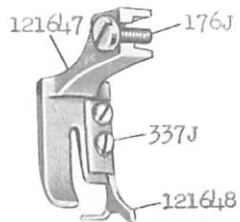
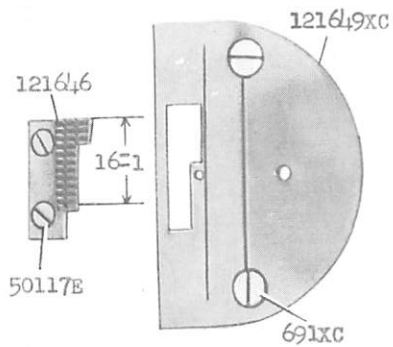
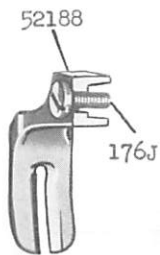
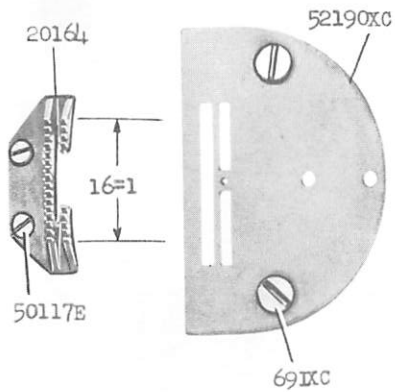


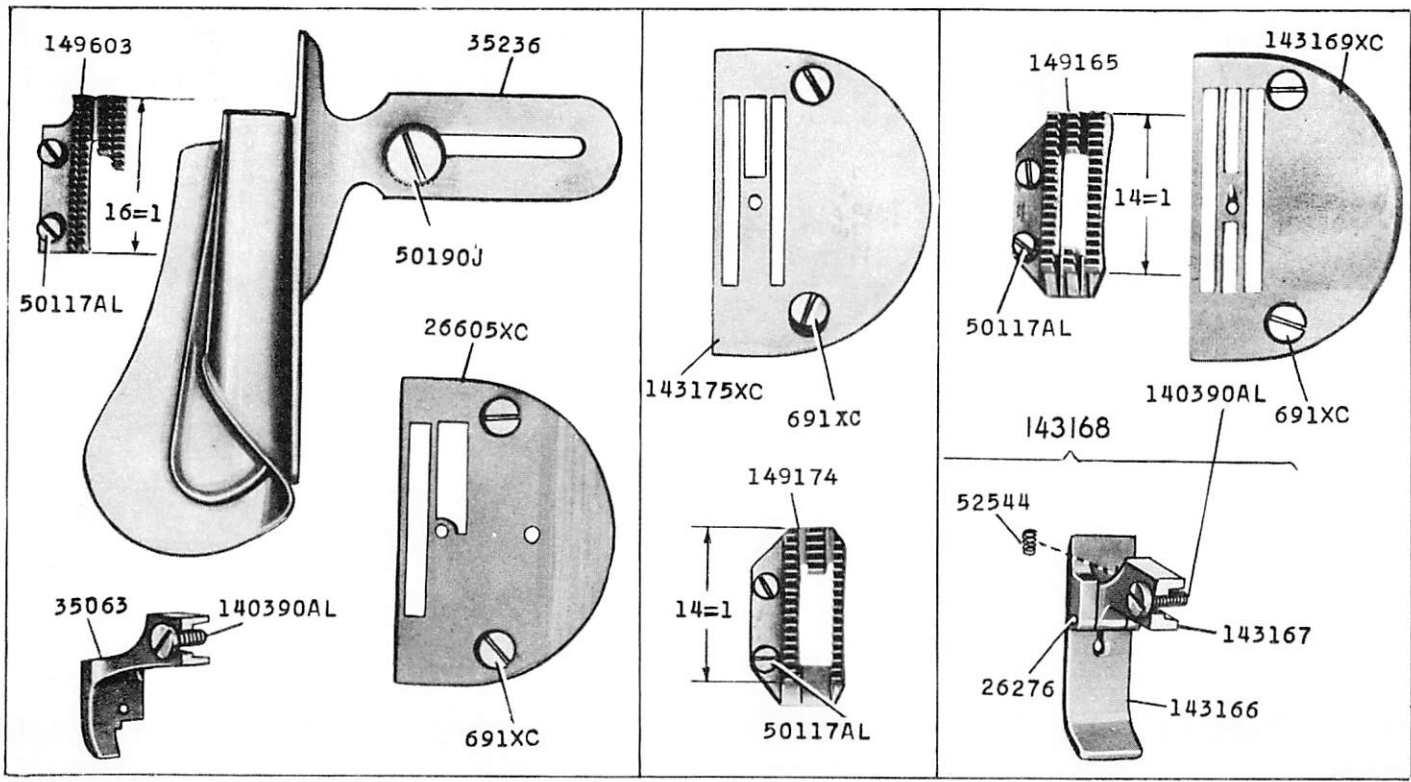


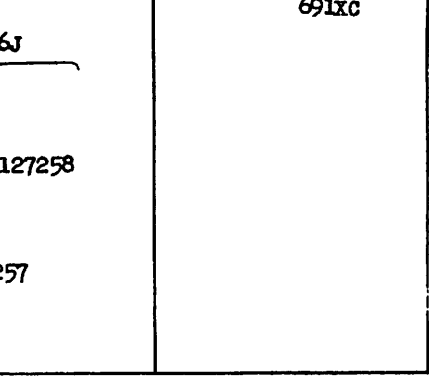
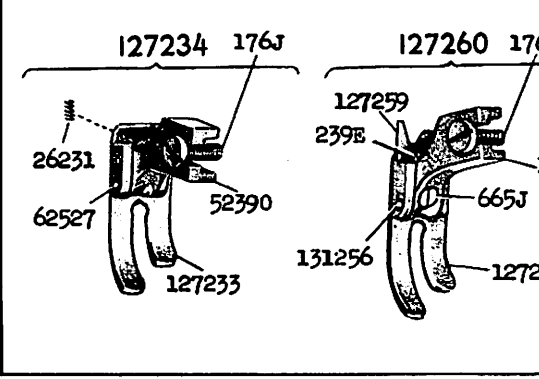
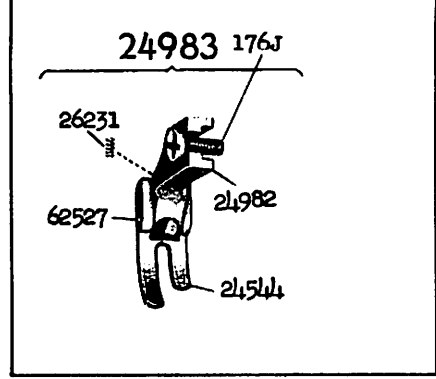
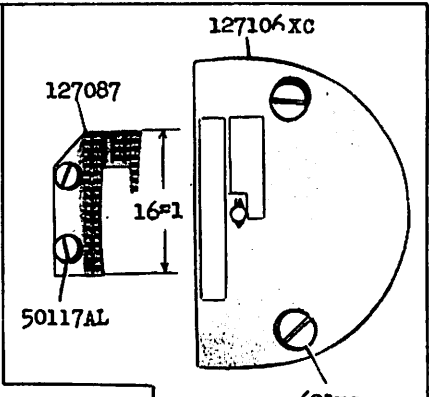
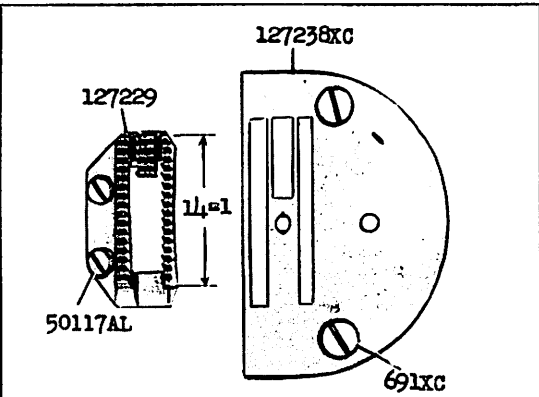
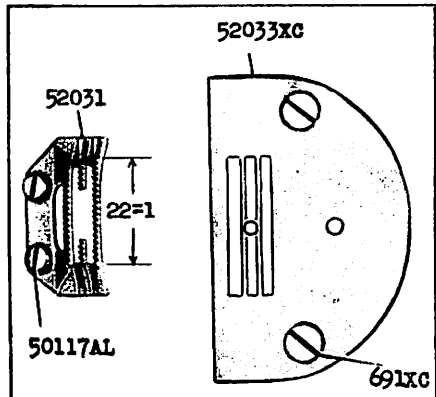


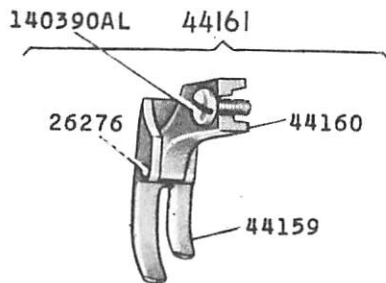
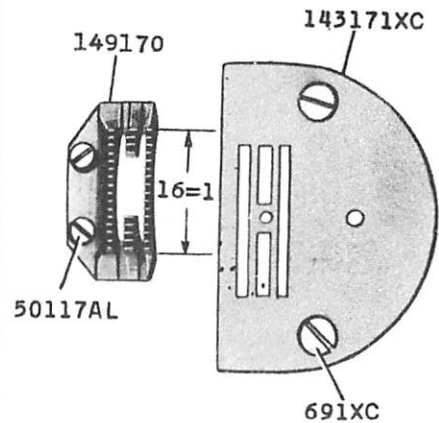
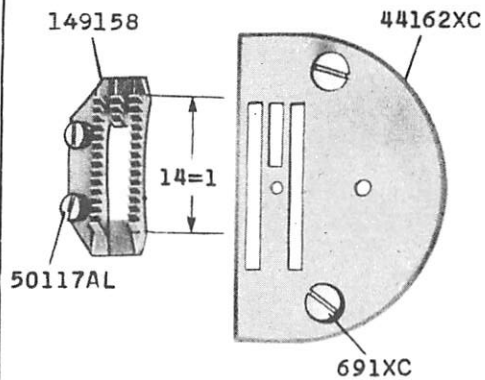
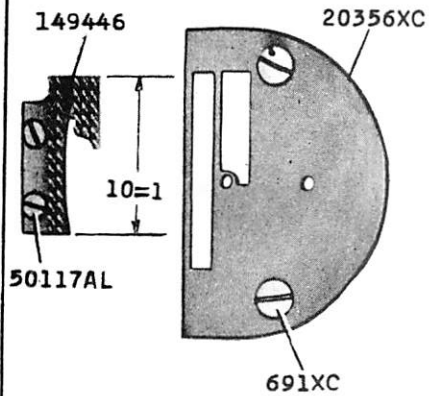
From the library of: **Diamond Needle Corp**
23260 - 1/3





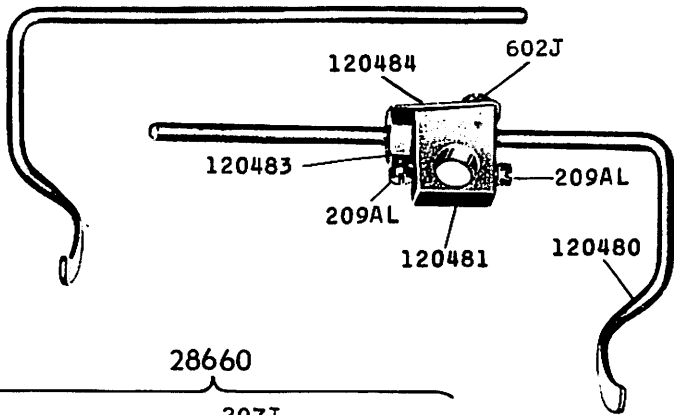




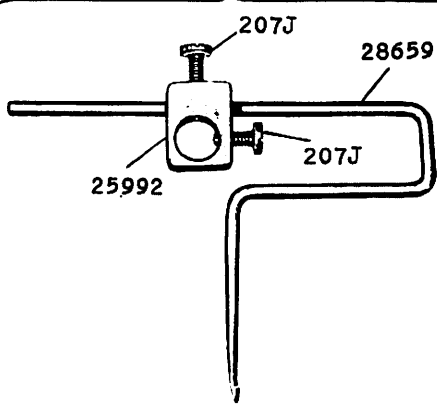


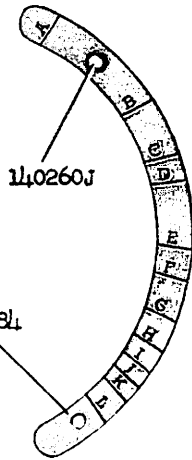
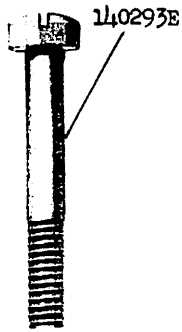
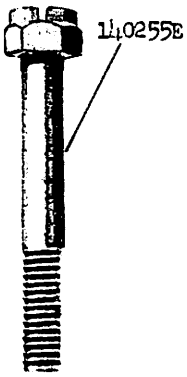
120485

120479

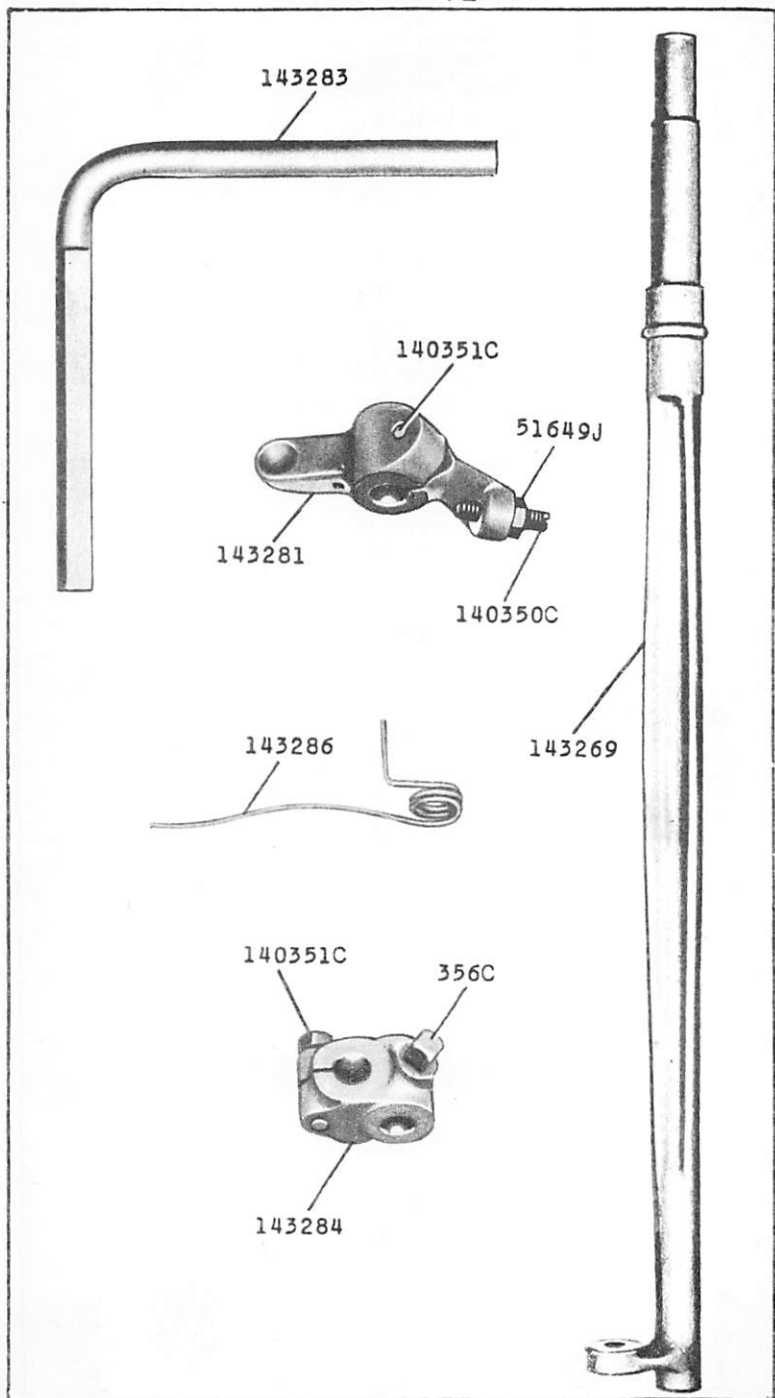


28660





23270 - 1/2



143256

143257

1464
— Low-Add Oil —

